



Data Sheet
 High Performance Door

RapidRoll[®] 660A

The Rugged All-Rounder with State-of-the-Art Technology
 suitable for Interior or Exterior applications

Safety is ensured by an electric impregnated rubber safety edge.

Front or rear side moving wind bars or self repairing knock out capability as option.



Next generation in High Performance Door
 Control Systems

INTERIOR EXTERIOR
 PROCESS SERVICE

High Performance Door RapidRoll® 660A



ADVANTAGES OF ALBANY RAPIDROLL® 660A

- Extremely robust RollTex® door curtain (optional) with 5-year guarantee (see guarantee certificate)
 - remarkably long lifetime
- the curtain tension and counterbalance system, that ensures a secure opening and closing movement and permanent curtain tension in all situations

APPLICATION

- as a room and environment divider to save energy
- as an exterior door for demanding outdoor conditions

DOOR DESIGN

The top roll consists of a steel tube with welded end caps. The shafts are supported on both sides by bearings. The curtain is riveted to the top roll, and sealed towards the wall. Anodised aluminium side frames on both sides of the curtain guide its upward and downward motion. The simple hinge principle assures quick and easy opening for service. An optional cover made of anodised aluminium on the front side protects the top roll.

DOOR CURTAIN

The door curtain is made of extremely rigid, tear-resistant RollTex® fabric. Tensile strength: 185 kN/m. The coated fabric seals against moisture and drafts. Standard colours are blue, orange and grey.

COUNTERBALANCE, CURTAIN TENSION SYSTEM

The counterbalance system is achieved by means of tension springs. Additionally, the combined curtain tension system assures a firm and taut curtain regardless of high wind loads.

KNOCK-OUT CAPABILITY

Self repairing knock-out capability - SRD. The door can be fitted with an optional knock-out capability for sizes up to 5.5 x 5.5 m (max. 22 m² door area).

DRIVE UNIT

3-phase asynchronous motor with worm gear and connector is mounted directly to the top roll. Drive position left- or right-hand side.

CONTROL SYSTEM

Innovative frequency converter control system type MCC_{VectorControl}. Integrated design: Control system mounted at the side frame close to the motor. Graphical user interface with control buttons

MANUAL ACTIVATION

In the event of a power outage the manual release handle enables the door to be opened easily.

SAFETY

The door is equipped with an electric self testing safety edge or an optional patented pre-running photocell, reversing the door before contact. The door is also supplied with an integrated door line photocell.

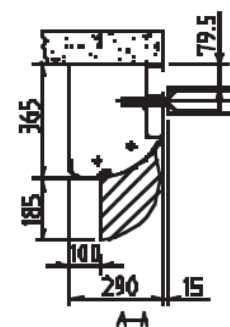
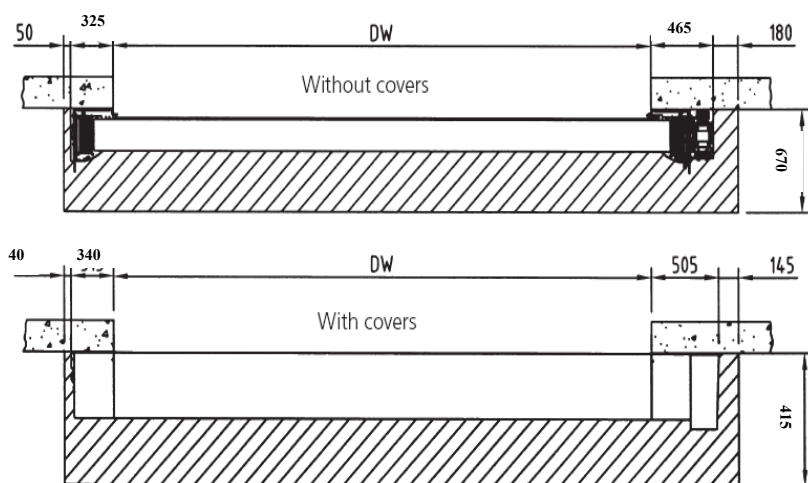
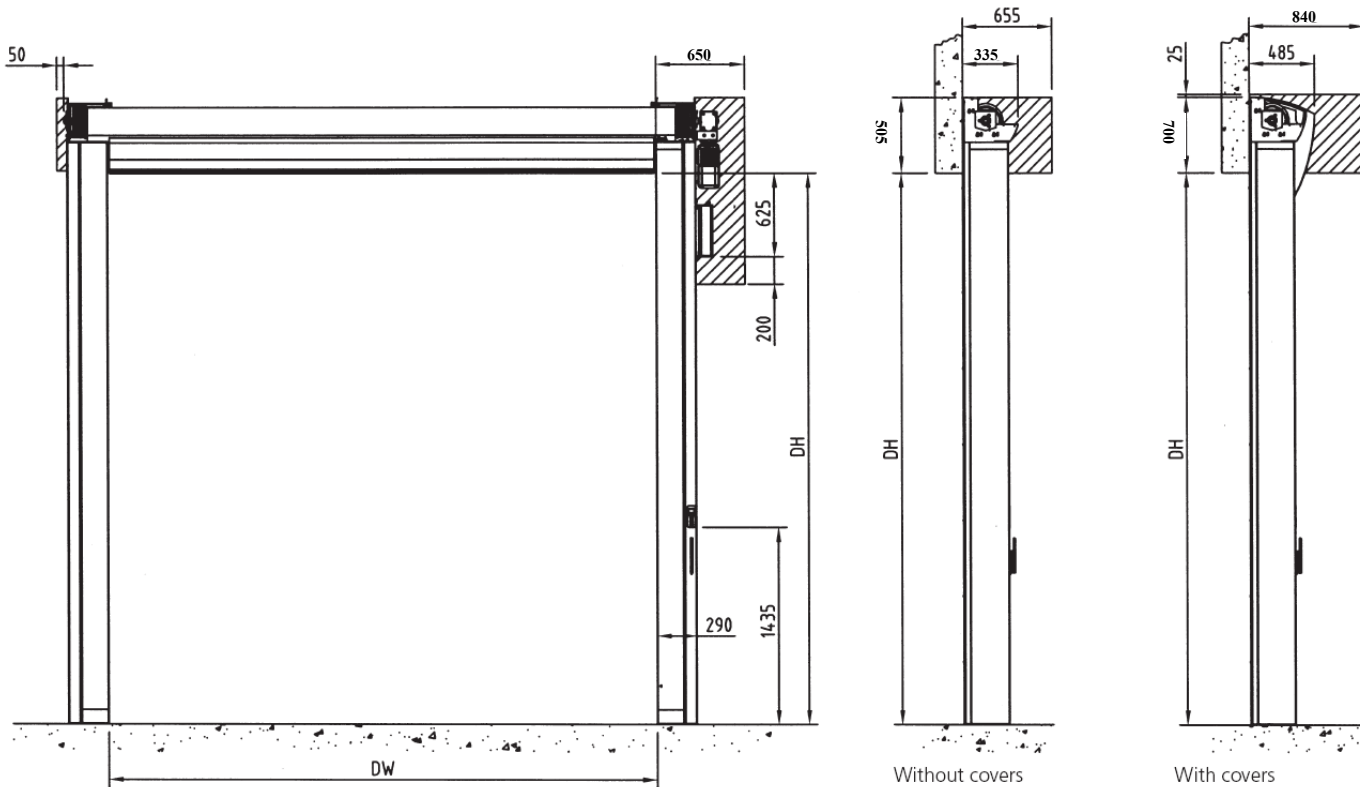
INDICATION OF RISK

The security of the door is designed for the normal use of vehicles in an industrial environment corresponding to the harmonized CE-Guidelines. In consideration of the on site situation – especially in case of use by pedestrians – additional safety measures, like additional actuators may be required. In addition, special environmental conditions may impact the choice of door type. In case of any doubt please contact our sales engineer for advice in your application

Technical Data

Exterior door	suitable
Interior door	suitable
Wind resistance	✓
Wind bar (front or back)	☐
Door dimension (mm) For details please note general drawing!	
DW max.	6500 mm
DH min. / max.	2000 / 6500 mm
Door area max.	32 m ²
Opening direction	vertical
Surface	
Side frames	anodised aluminium
Top roll	Steel tube
Bottom profile	anodised aluminium
Covers	
Top roll cover (steel) & Motor cover (anodised aluminium)	☐
Door curtain	
PVC with alternative coloured reinforcement stripes	✓ up to 4 x 4,2 m
RollTex® plus	☐ (max. 22 m ²)
- without window	☐
- with window	☐
RollTex® Original with acrylic coating	☐ (above 22 m ²)
Anti-Static brush	☐
Curtain tension	✓
Counterbalance	✓
Drive unit	✓ electric / IP 55
Chain drive	☐
Safety	
Electrical safety contact edge	✓
Pre-running safety photocell	☐
Door line photocell	✓
Fall down protection	✓ (via tension springs)
Knock-out capability (SRD)	☐
Manual activation	✓ Bowden lever, operated from the floor
Second bowden lever	☐
Control systems	MCC_{VectorControl}
Motor power / Kw	1,1 kW
Speed (m/s)	
Sealing bag on bottom profile	✓
Top roll sealing	✓
Brush sealing between side frame / curtain (not with Pre-running safety photocell)	✓
open/close up to max. m/s	3,0 / 1,2
Additional opening heights	☐
Potential free contacts	☐
Fuse protection	12 A
Control voltage	24 V DC
Protection degree	IP 55
3L(N)/PE 380/400/415/440/480V, 50/60 Hz	
Traffic light function	
without direction detection	☐
Flashing alarm light	☐
☐ Optional ✓ Standard	

1) For doors with DH < 2300 mm cable drum-, top roll- and motor-cover are required according to the standard EN 13241-1



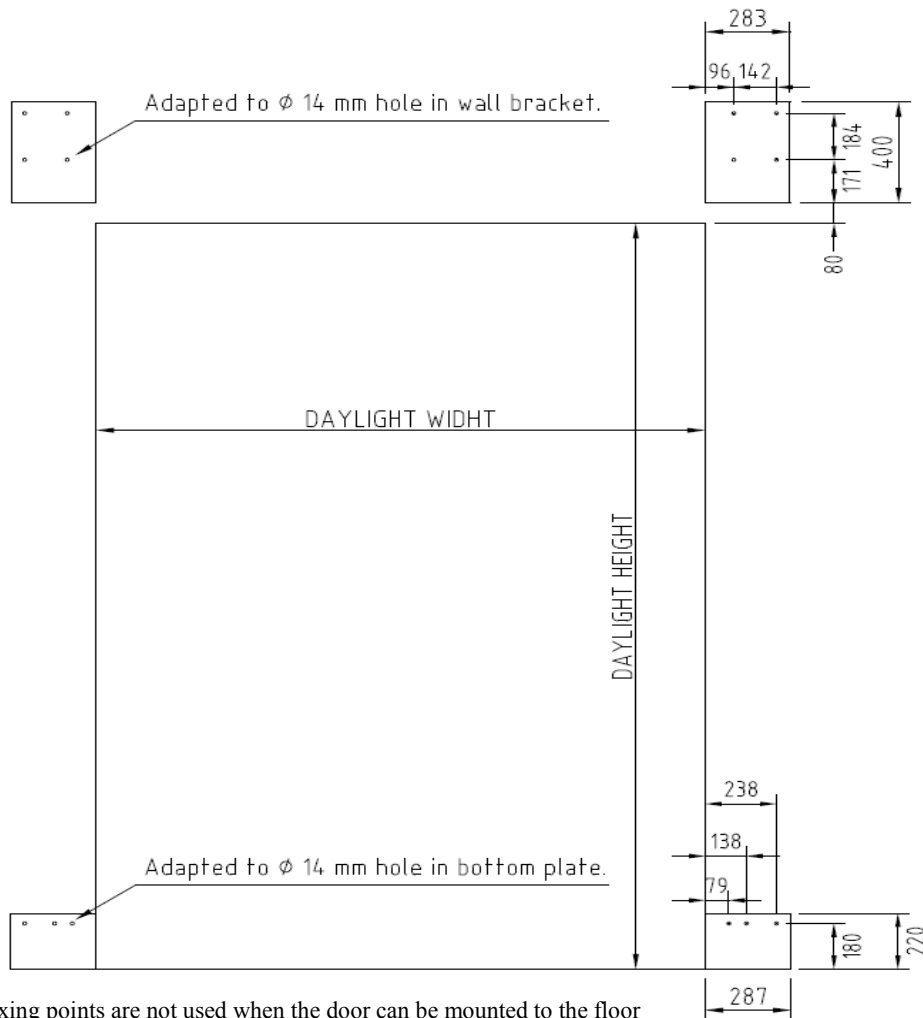
Important for crash system:
The opening width shall be 20 mm wider than the door width.

For use of windbars:

X = Add 100 mm to DH for each windbar on one side.

Shaded areas indicate the space that is needed for installation and servicing. If the required space is not available, please consult Albany Door Systems.

Fixing Plan RapidRoll® 660A



Toll Free 1300 666 232
www.albanydoorsystems.com

NSW—HEAD OFFICE
 9 McIlwraith Street
 Wetherill Park NSW 2164
 Ph: 02 9756 4330
 Fax: 02 9756 4340

VICTORIA
 12 Horscroft Place
 Moorabbin VIC 3189
 Ph: 03 9553 5455
 Fax: 03 9553 5486

QUEENSLAND
 1/18 Tolmer Place
 Springwood QLD 4127
 Ph: 07 3299 5922
 Fax: 07 3299 5955

SOUTH AUSTRALIA
 41 York Street
 Wingfield SA 5013
 Ph: 08 8260 2940
 Fax: 08 8260 7223

Dealers

Western Australia - Auto Doors Systems
 7 Crowley Street
 Port Kennedy WA 6168
 Ph: 08 9524 6575
 Fax: 08 9524 6875

New Zealand - Flexible Door Technology Ltd
 9 Lock Crescent
 Hillsborough Christchurch NZ 8035
 Ph: + 64 3 377 1551
 Fax: + 64 3 377 1552
Free call New Zealand 0800 267 888

TASMANIA - CBS
 142 Forster Street
 Invermay TAS 7248
 Tel: 1300 666 232
 Fax: 03 6334 7788